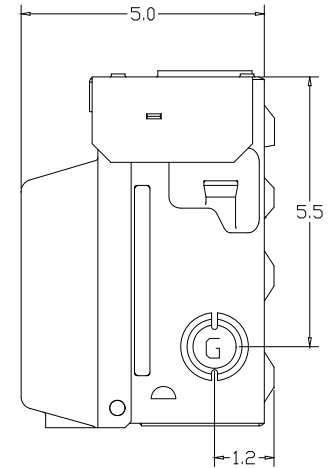
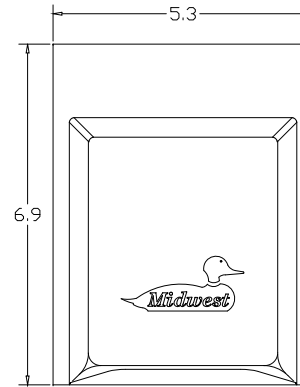
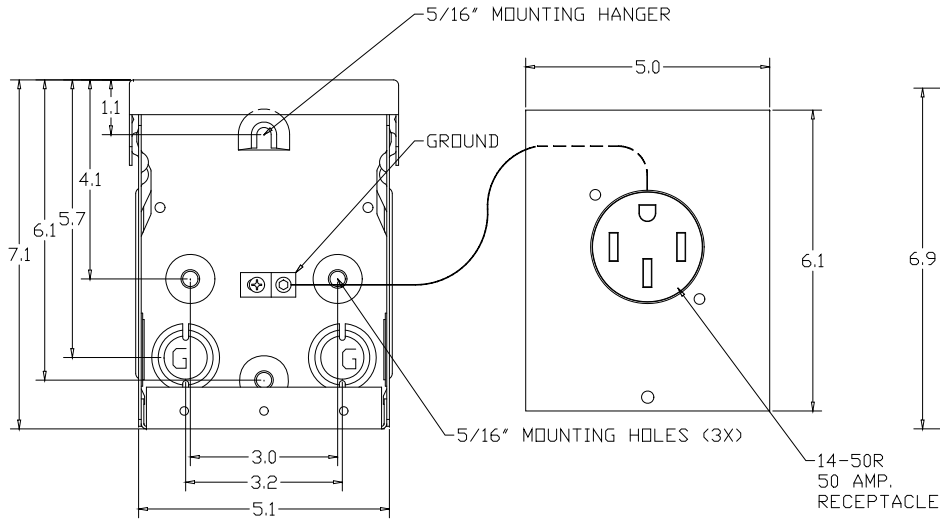
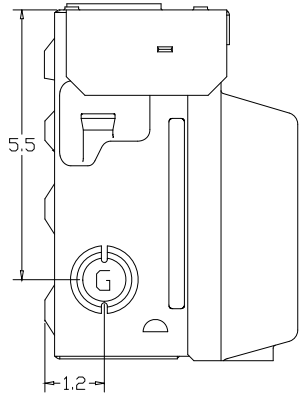


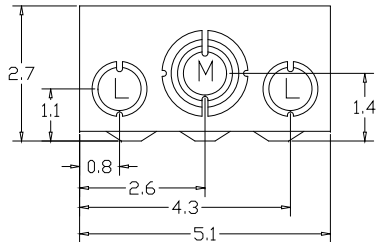
WIRE RANGE TABLE G:

CONNECTOR	COPPER		ALUMINUM	
	SOLID	STRAND	SOLID	STRAND
LINE	12-8	12-4	-----	-----
LOAD	-----	-----	-----	-----
NEUTRAL	12-8	12-4	-----	-----
EQUIP. GRND.	12-8	12-2	-----	-----



KNOCKOUT TABLE:

L= 1/2", 3/4" KO
M= 1/2", 3/4", 1", 1-1/4" KO
G= 1/2", 3/4", 1" KO



MIDWEST ELECTRIC  
PRODUCTS, INC.  
Mankato, MN

\* = Critical To Quality  
Unless Otherwise Specified  
Tolerances On:  
3 Pl. Decimals ± .010  
2 Pl. Decimals ± .030  
Fractions ± 1/32  
Angles ± 1/2°  
Holes ± .003  
Dimensions Are In Inches

AutoCad  
Generated  
SCALE 1 : 1  
SIZE A  
SHEET 1 OF 1

TITLE: U054  
OUTLINE DRAWING  
DWG NO: 265A6204

SH15