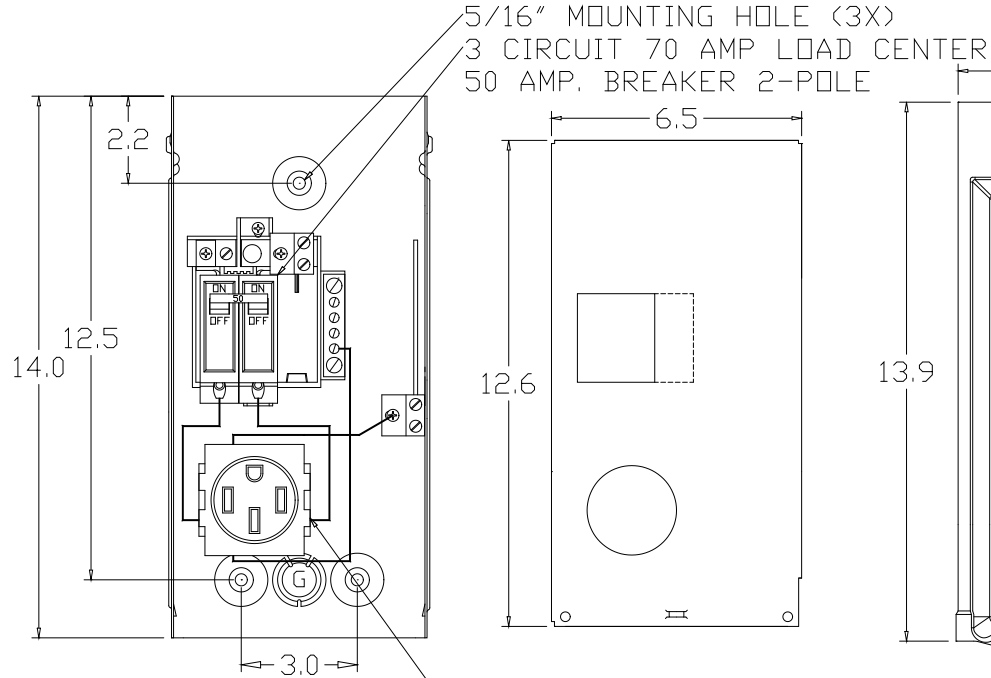
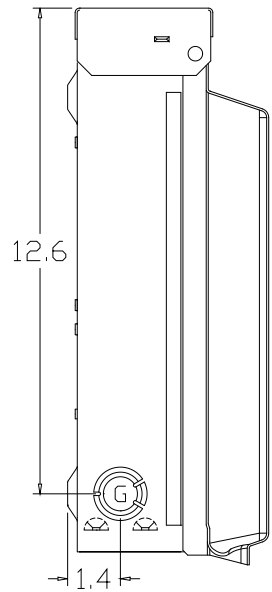


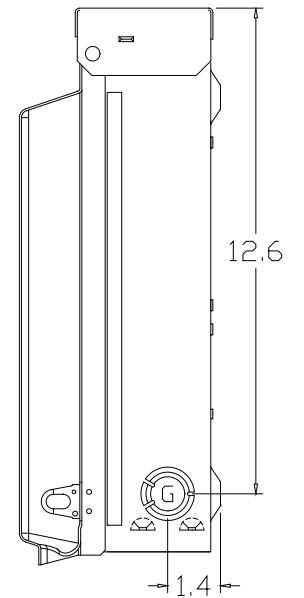
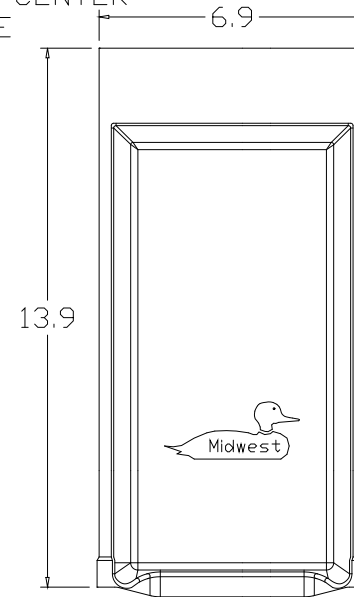
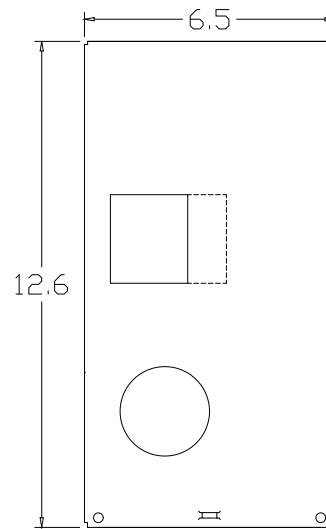
1-1/2" HUB HOLE

WIRE RANGE TABLE:

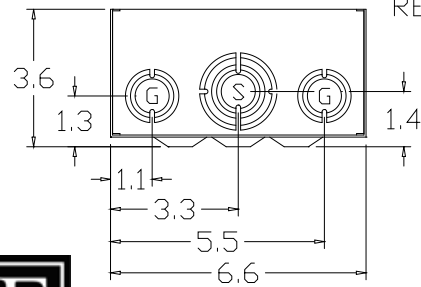
CONNECTOR	COPPER		ALUMINUM	
	SOLID	STRAND	SOLID	STRAND
LINE	14-8	14-2	12-8	12-2
LOAD	-----	-----	-----	-----
NEUTRAL END HOLE	14-8	14-2	12-8	12-2
NEUTRAL SIDE HOLE	14-8	14-4	12-8	12-4
EQUIP. GRND.	12-8	12-2	12-8	12-2



5/16" MOUNTING HOLE (3X)
3 CIRCUIT 70 AMP LOAD CENTER
50 AMP. BREAKER 2-POLE



14-50R
50AMP.
RECEPTACLE



KNOCKOUT TABLE:

S = 1/2", 3/4", 1", 1-1/4", 1-1/2" KO
G = 1/2", 3/4", 1" KO

SH15



Dr. By: JDE
Ck. By:
CR: R0814112

* = Critical To Quality	
Unless Otherwise Specified	AutoCad Generated
Tolerances On: 3 Pl. Decimals ± .010 2 Pl. Decimals ± .030 Fractions ± 1/32 Angles ± 1/2° Holes ± .003	SCALE: 1:1 SIZE: A
Dimensions Are In Inches	SHEET 1 OF 1

TITLE: 54C
OUTLINE DRAWING
DWG NO: 265A6213

Rev.1 CR R0814112 JE 2-18-08