

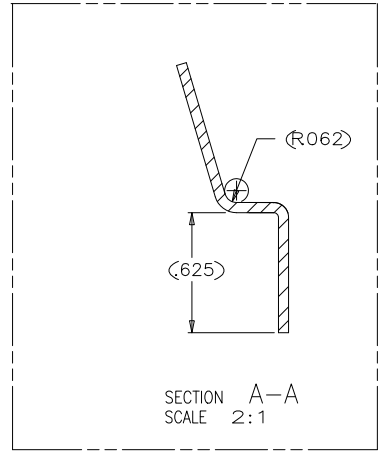
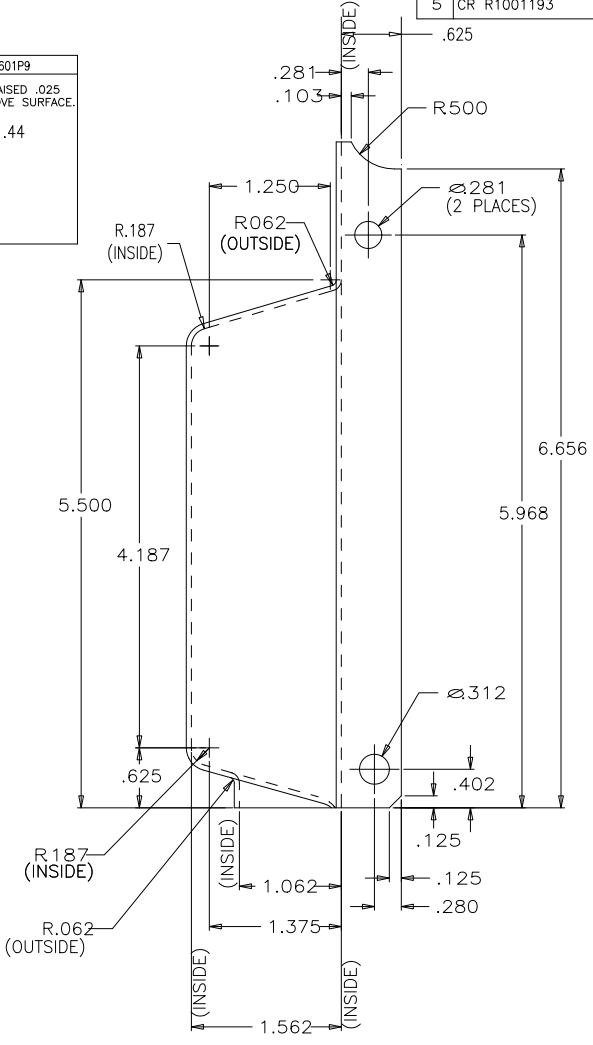
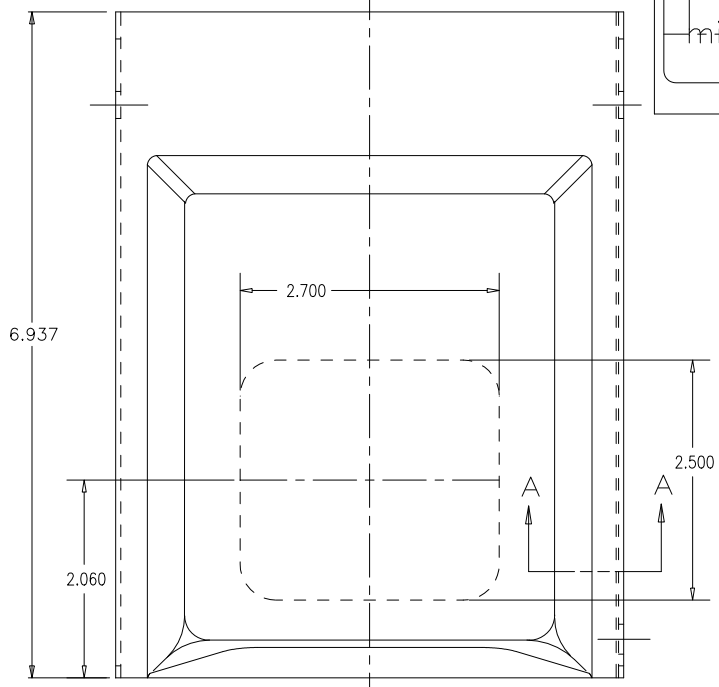
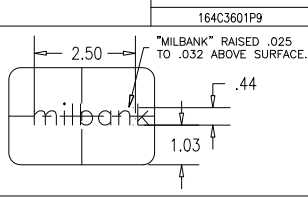
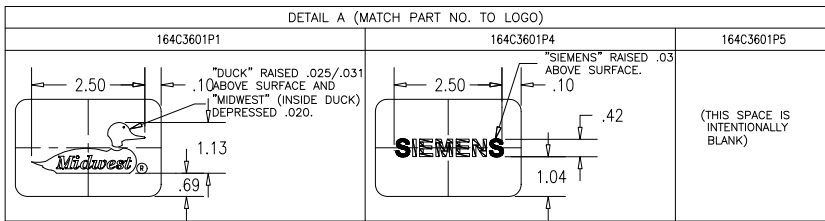
4

3

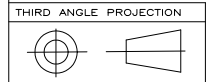
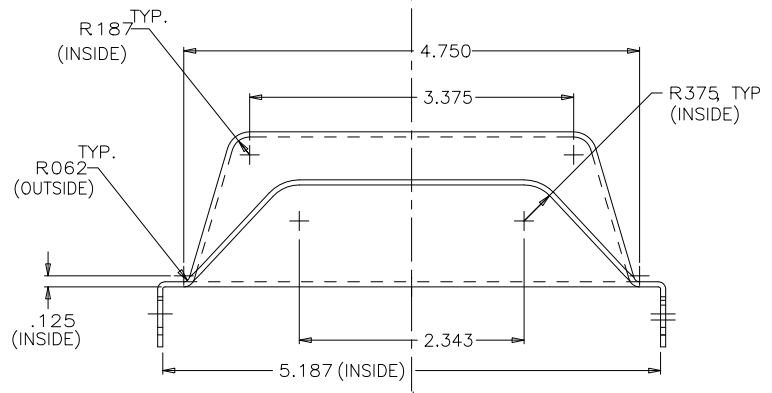
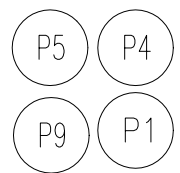
2

GE PROPRIETARY AND CONFIDENTIAL INFORMATION
 This document is the property of General Electric Company ("GE") and contains proprietary information of GE. This document is loaned on the express condition that neither it nor the information contained therein shall be disclosed to others without the express written consent of GE Industrial Systems, and that the information shall be used by the recipient only as approved expressly by GE Industrial Systems. This document shall be returned to GE upon its request. This document may be subject to certain restrictions under U.S. export control laws and regulations.


REVISIONS			
REV.	DESCRIPTION	DATE	APPROVED
1	CN 88-59	07/22/88	HH
2	CR R0300056	01/16/03	PK
3	CR R0421536	11/15/04	SE
4	CR R0747633	01-04-08	JE
5	CR R1001193	04/14/10	BK



MATERIAL : 16 GAUGE DRAWING QUALITY GALVANIZED STEEL
 REF. 265A5265P2



FOR ADDITIONAL INFO REFER TO:	SIGNATURES	DATE
APPLIED PRACTICES	S.I. MODEL	HH --- 02/07/82
DIMENSIONS ARE IN INCHES	CHECKED	ENGRG
UNLESS OTHERWISE SPECIFIED IN DRAWING	MFG	ISSUED
TOLERANCE ON:	FRAGMENTS ±	
1 PL DECIMALS ± 0.1	FINISH	
2 PL DECIMALS ± 0.03	DRAWING FILE: 164C3601T1	
3 PL DECIMALS ± 0.010	SOLID MODEL:	
ANGLES ± 0.5	SCALE: 1:1	
FRACTIONS ±	SHEET 10F 1	
CRITICAL TO QUALITY CHARACTERISTIC		

Midwest Electric Products 

TITLE: 5"x7" DOOR

SIZE C	DRAWING 164C3601	REV 5
--------	------------------	-------

4

3

2

11