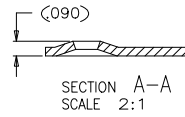
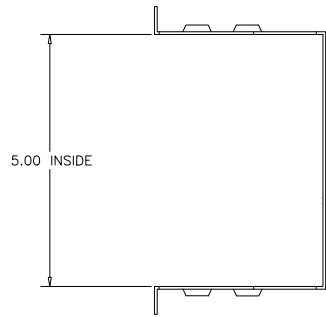
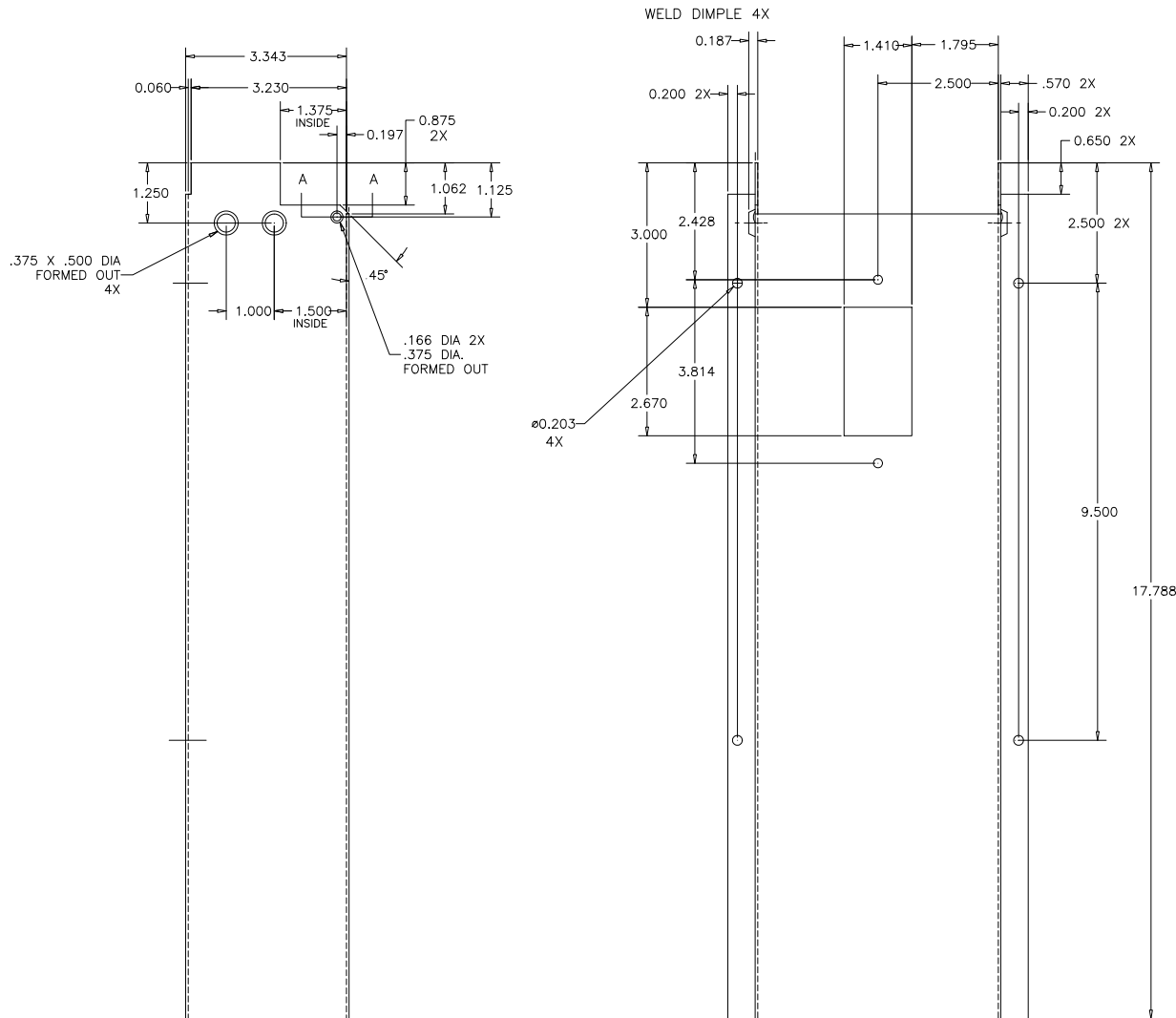


THIS DOCUMENT CONTAINS PROPRIETARY AND CONFIDENTIAL INFORMATION OF MIDWEST ELECTRIC PRODUCTS, INC. IT IS LOANED ON CONDITION THAT IT AND OTHER INFORMATION THEREIN SHALL NOT BE USED BY RECIPIENT NOR BE DISCLOSED TO OTHERS EXCEPT AS EXPRESSLY APPROVED BY MIDWEST ELECTRIC PRODUCTS, INC. ANY DOCUMENT CONTAINING SUCH INFORMATION SHALL BE RETURNED ON REQUEST.



REVISIONS			
Rev.	Changed By:	CR	DATE
1	RDW	R0301989	05/22/03
2	SCS	R0305752	12/10/03
3			
4			



P4

* = Critical To Quality	
Dr. By: RDW	Date: 5/30/03
Ck. By:	Date:
CR: R0301989	Date: 5/30/03
Unless Otherwise Specified	
Tolerances On:	
3 Pl. Decimals ± .010	
2 Pl. Decimals ± .030	
Angles ± 1/2°	
Holes ± .003	
Dimensions Are In Inches	

	MIDWEST ELECTRIC PRODUCTS, INC. Mankato, MN	
	TITLE: TELE-TV ACCESSORY BODY	
DWG NO:	164C3600	

AutoCad Generated	
SCALE	SIZE
1 : 1	C
SHEET 1	OF 1