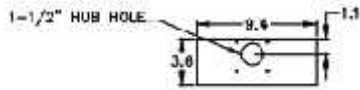


Top View



Configuration

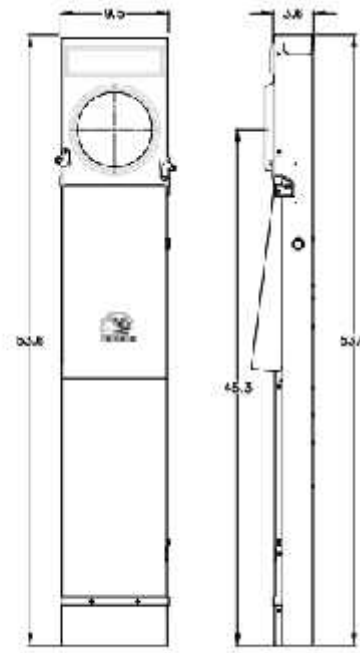
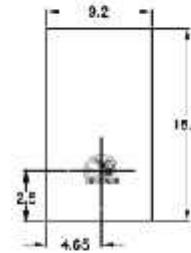
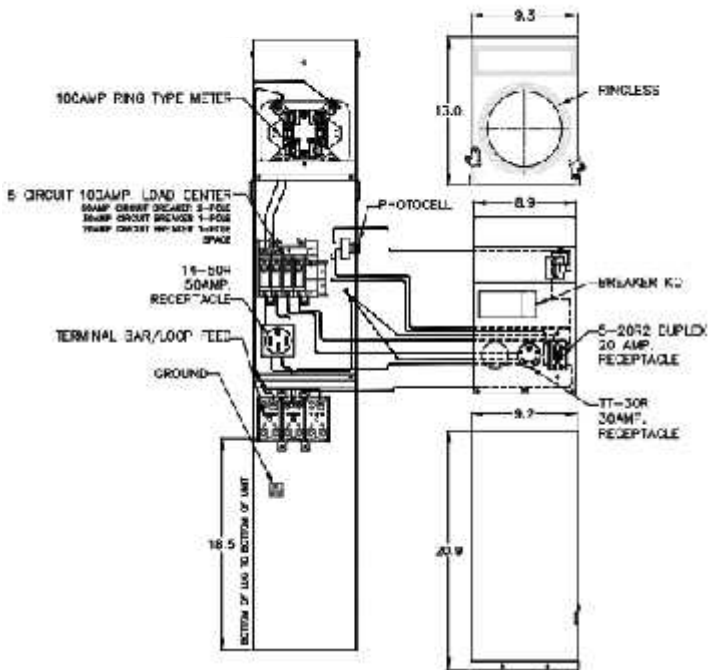
Front View Interior

Front View External # 1

Front View Inside Cover

Front View External # 2

Side View



Wire Range Size

WIRE RANGE TABLE :

CONNECTOR	COPPER		ALUMINUM	
	SOLID	STRAND	SOLID	STRAND
LINE	---	6-1/0	---	6-1/0
LOAD	14-10	14-13	---	---
NEUTRAL	14-6	14-4	14-4	14-4
POST LINE CONNECTORS SUITABLE FOR LOOP FEED	#6-350 KCMIL		#6-350 KCMIL	
EQUIP. GRND.	12-2	12-2	12-2	12-2
EQUIP. GRND. POST	6-250	6-250	6-250	6-250

Receptacles

Circuit Protection

5-20R2
TT-30R
14-50R

THQL1120
THQL1130
THQL2150

NOTES: PAD MOUNT POST

CUL 9 PAD MOUNT POST LIGHTED

CAT NO	DWG DATE	REV #
RH75PD3L	02/15/2018	01