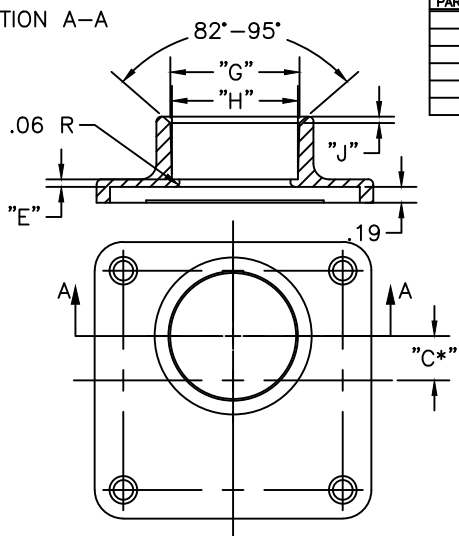
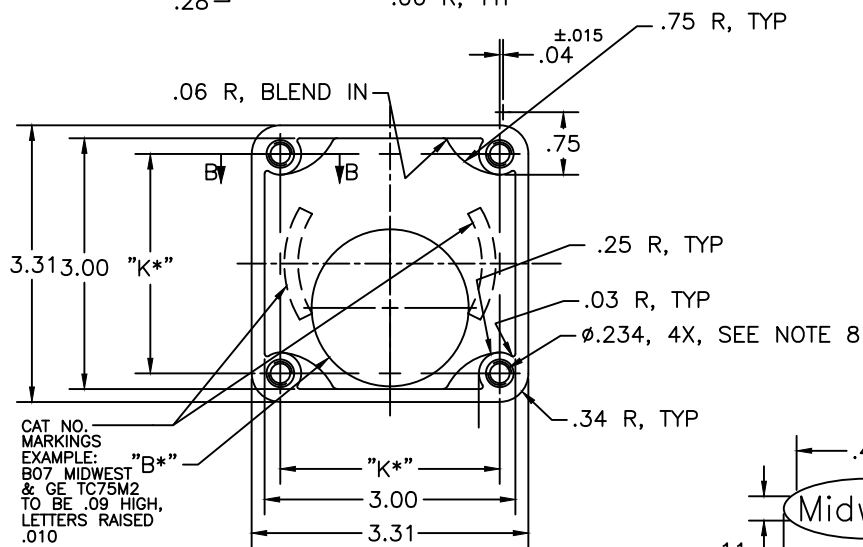
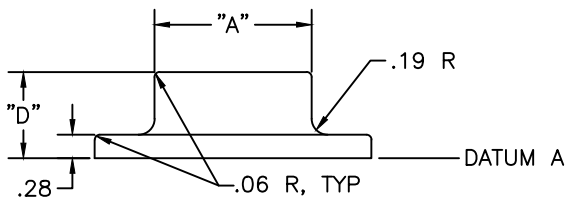
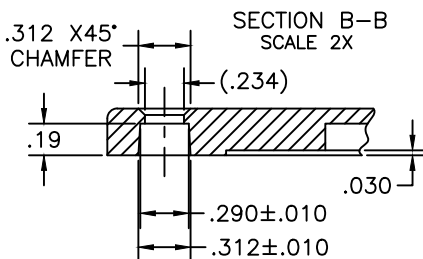
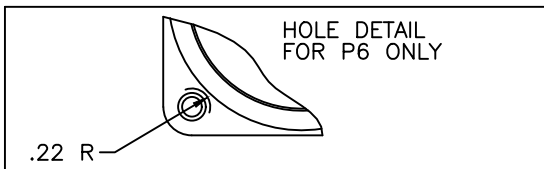


SECTION A-A

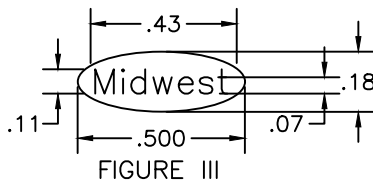


PART NO.	"A" DIA	"B" DIA	"C"	"D"	"E"	"G" DIA	"H" DIA	"J"	"K"	MAT'L
1	1.31	.804±.020	.81	1.03	.12	.969±.003	.929±.003	.075±.020	2.625 ^{+.011} _{-.005}	B12G41D
2	1.52	1.023±.026	.69	1.03	.12	1.215 ^{+.003} _{-.003}	1.176 ^{+.003} _{-.003}	.075±.020	2.625 ^{+.011} _{-.005}	ALUM
3	1.88	1.345±.034	.53	1.03	.09	1.549±.003	1.508±.003	.075±.020	2.625 ^{+.011} _{-.005}	DIE
4	2.12	1.570±.040	.42	1.03	.09	1.788±.003	1.753±.003	.075±.020	2.625 ^{+.011} _{-.005}	CAST
5	2.62	2.015±.051	.20	1.03	.09	2.292±.002	2.268±.002	.075±.020	2.625 ^{+.011} _{-.005}	
6	3.19	2.408±.061	NONE	1.22	.09	2.721 ^{+.003} _{-.003}	2.672±.003	.11	2.625 ^{+.011} _{-.005}	

PART NO.	GE CAT NO	MIDWEST CAT NO
1	TC75M2	B07
2	TC100M2	B10
3	TC125M2	B12
4	TC150M2	B15
5	TC200M2	B20
6	TC250M2	B25



CAT. NO. MARKINGS EXAMPLE: B07 MIDWEST & GE TC75M2 TO BE .09 HIGH, LETTERS RAISED .010



Confidential And Proprietary

THIS DOCUMENT CONTAINS PROPRIETARY AND CONFIDENTIAL INFORMATION OF MIDWEST ELECTRIC PRODUCTS, INC. IT IS LOANED ON CONDITION THAT IT AND OTHER INFORMATION THEREIN SHALL NOT BE USED BY RECIPIENT NOR BE DISCLOSED TO OTHERS EXCEPT AS EXPRESSLY APPROVED BY MIDWEST ELECTRIC PRODUCTS, INC. ANY DOCUMENT CONTAINING SUCH INFORMATION SHALL BE RETURNED ON REQUEST.

REVISIONS

Rev.	Changed By:	Cn or DCR	Date
4	HH	86-31	5-23-86
5	HH	89-145	11-14-89
6	JLN	97-55	4-24-98
7	MHT	0000389G	09-13-00
8	ARH	0200574	05-15-02
9	ARH	B0200200	06-28-02
10	KUMAR	R0415949	10-01-04
11	VS	R0423828	12-13-04

NOTES:

- 1) FILLETS AND ROUNDS NOT TO EXCEED .06 R UNLESS OTHERWISE SPECIFIED
- 2) 2" MAXIMUM TAPER
- 3) "B" DIAMETER TO BE SMOOTH AND FREE OF FLASH
- 4) DATE MOLD WITH MONTH AND YEAR
- 5) NUMBER EACH CAVITY CONSECUTIVELY
- 6) G.E. MONOGRAM NP11500X
- 7) MIDWEST MONOGRAM-SEE FIG. III
- 8) FLASH REMOVED WITHIN .010
- 9) THREAD REFERENCE 265A5007P9 & P10
- 10) 4 CTQS ON PRINT

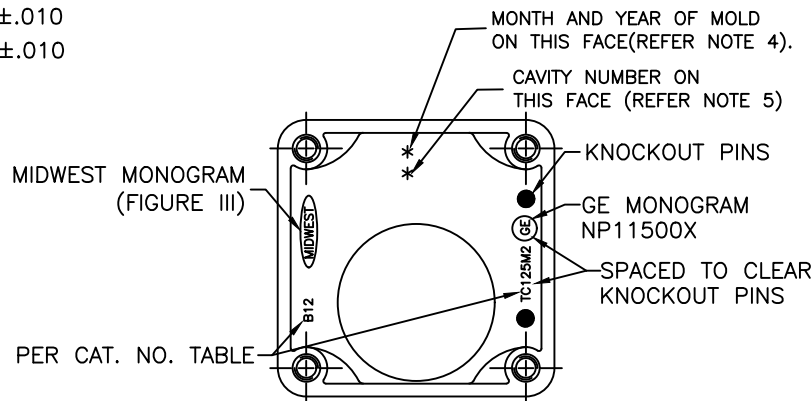



FIGURE II
ALTERNATE CONFIGURATION
OTHERWISE SAME AS FIGURE I

* = Critical To Quality		MIDWEST ELECTRIC PRODUCTS, INC. Mankato, MN	
Dr. By:	Date:		TITLE: BOLT ON HUB
Ck. By:	Date:		
CN:	Date:	SCALE: 1 : 1 SIZE: C	DWG NO: 164C3512
Unless Otherwise Specified	AutoCad Generated		
Tolerances On: 3 Pl. Decimals ± .010 2 Pl. Decimals ± .030 Angles ± 1/2° Holes ± .003 Dimensions Are In Inches		SHEET 1 OF 1	

THIRD ANGLE PROJECTION

