

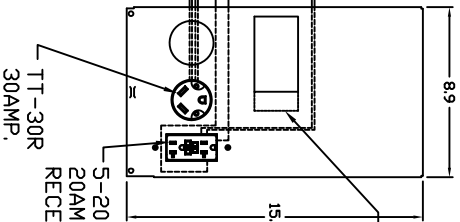
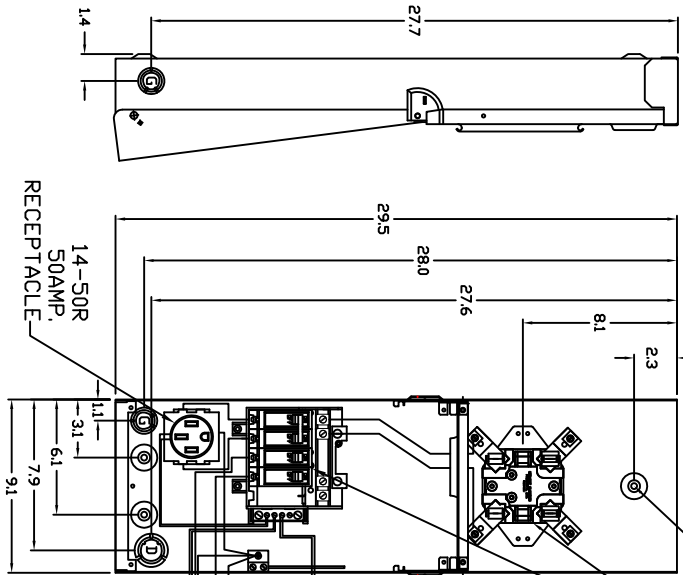
1-1/2" HUB HOLE

KNOCKOUT TABLE:

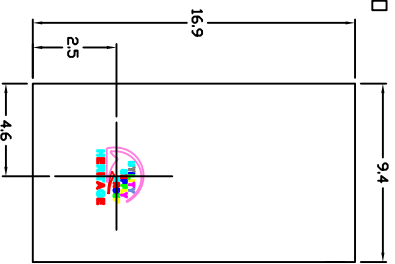
H =	9/32" KD
G =	1/2", 3/4", 1" KD
B =	1", 1-1/4", 1-1/2" KD
D =	3/4", 1", 1-1/4" KD

WIRE RANGE TABLE:

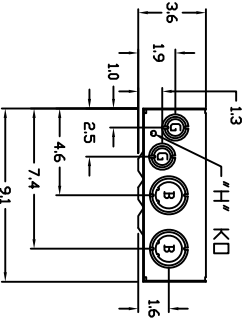
CONNECTOR	COPPER SOLID STRAND	ALUMINIUM SOLID STRAND
LINE	6-1/0	6-1/0
LOAD	14-10	14-10
NEUTRAL LARGE HOLE	12-8	12-1/0
NEUTRAL SMALL HOLE	14-8	14-4
EQUIP. GRND.	12-2	12-2



BREAKER KD



14-50R 50AMP. RECEPTACLE



1/4" KD



Dr. By: ST	Dt: 11-16-09
Ck. By:	
CR: R0729847	Dt: 11-16-09

* = Critical To Quality	
Unless Otherwise Specified	Autocad Generated
Tolerances Dn:	SIZE
3 Pl. Decimals ± .010	1.1
2 Pl. Decimals ± .030	A
Fractions ± 1/32	
Angles ± 30'	
Holes ± .003	
Dimensions Are In Inches	
SHEET 1	OF 1

TITLE: MH75SM3
 OUTLINE DRAWING
 DWG NO: 198B8604