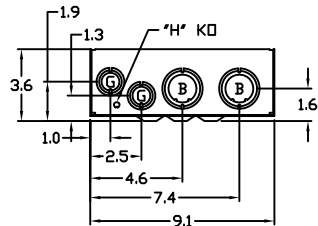
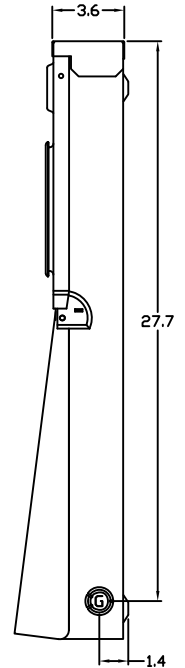
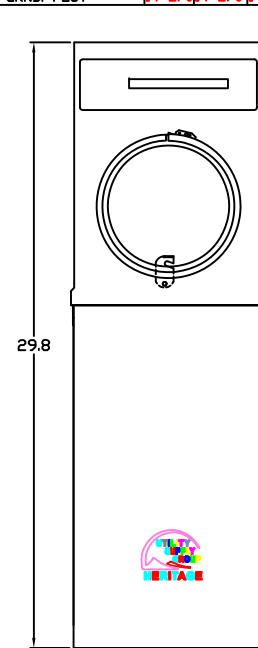
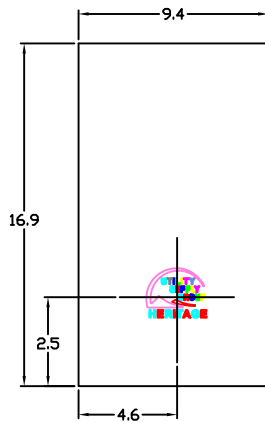
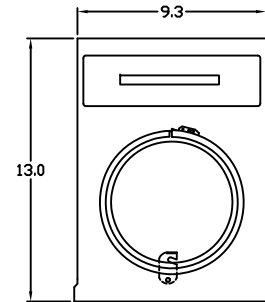
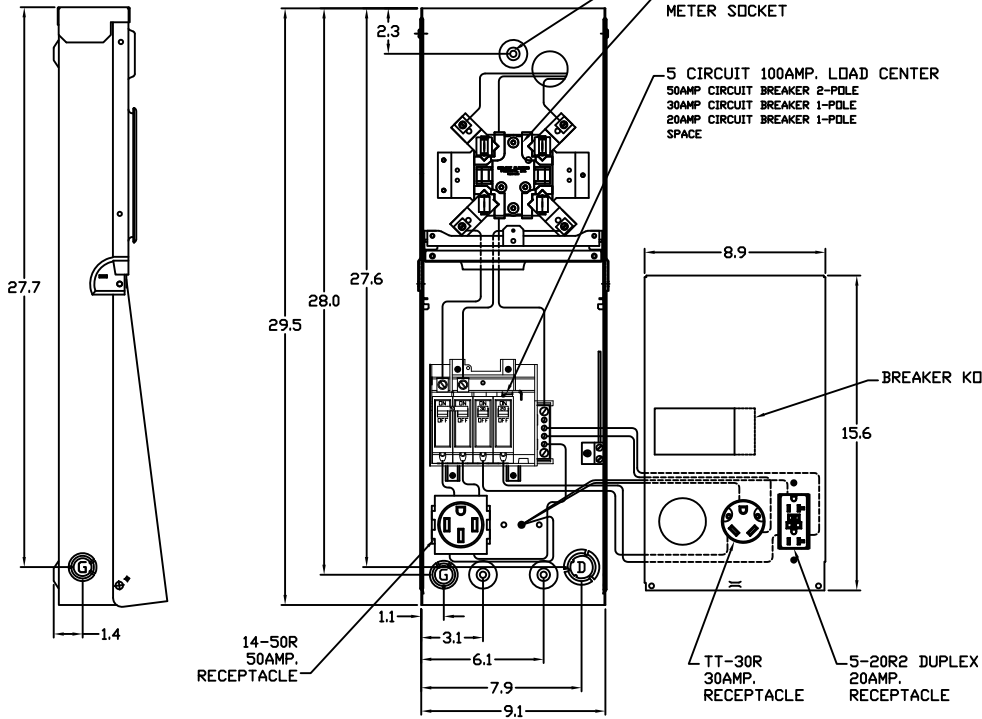


KNOCKOUT TABLE:

H= 9/32" KO
G= 1/2", 3/4", 1" KO
B= 1", 1-1/4", 1-1/2" KO
D= 3/4", 1", 1-1/4" KO

WIRE RANGE TABLE:

CONNECTOR	COPPER		ALUMINUM	
	SOLID	STRANDS	SOLID	STRAND
LINE	---	6-1/0	---	6-1/0
LOAD	14-10	14-10	---	---
NEUTRAL LARGE HOLE	12-8	12-1/0	10	10-1/0
NEUTRAL SMALL HOLE	14-8	14-4	12-10	12-4
POST LINE CONNECTORS SUITABLE FOR LOOP FEED	#6-350	KCMIL	#6-350	KCMIL
EQUIP. GRND.	12-2	12-2	12-2	12-2
EQUIP. GRND. POST	14-2/0	14-2/0	14-2/0	14-2/0



SH153

Rev. 1 R0729847 ST 11-16-09 Rev. 3 R1401763 DJ 02-20-14
Rev. 2 R1318112 DJ 09-16-13

Unless Otherwise Specified
 Tolerances On:
 3 Pl. Decimals ± .010
 2 Pl. Decimals ± .030
 Fractions ± 1/32
 Angles ± 1/2°
 Holes ± .003
 Dimensions Are In Inches

* = Critical To Quality

SCALE: 1 : 1
 SIZE: B

SHEET 1 OF 2

TITLE: MH75B3 HEAD OUTLINE

DWG NO: 198B8604

AutoCad Generated
 Dr. By: ST Dt: 11-16-09 CR: R0729847
 Ck. By: Date: 11-16-09