

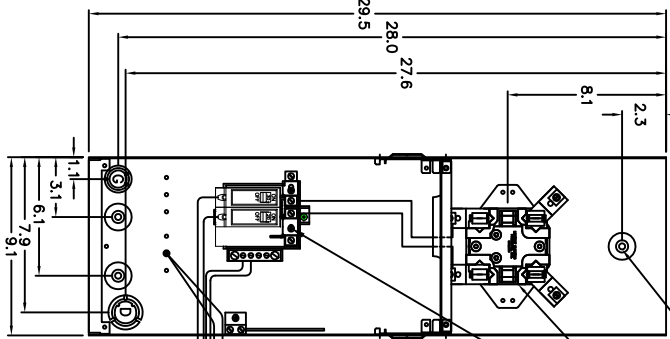
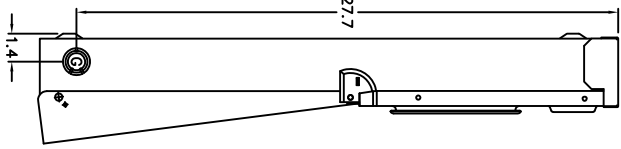
1-1/2" HUB HOLE

KNOCKOUT TABLE:

H =	9/32" KO
G =	1/2", 3/4", 1" KO
B =	1", 1-1/4", 1-1/2" KO
D =	3/4", 1", 1-1/4" KO

WIRE RANGE TABLE:

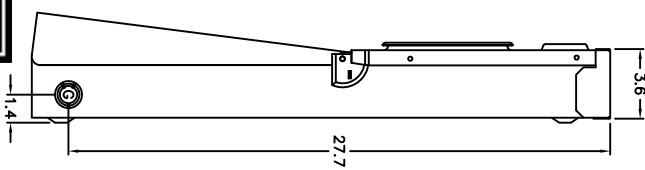
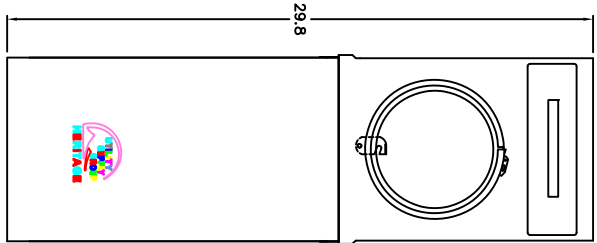
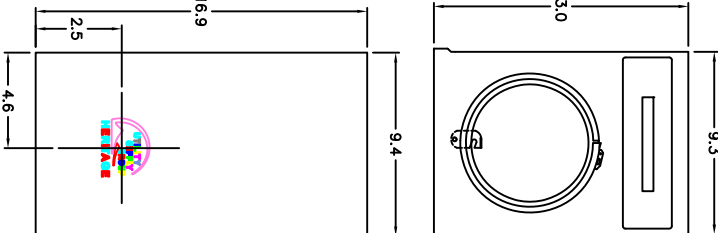
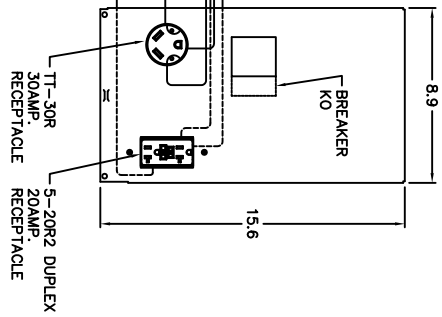
CONNECTOR	COPPER	ALUMINUM
SOLID STRAND	14-8	12-10
SOLID STRAND	14-2	12-2
LOAD	14-10	14-10
LARGE HOLE	14-8	14-2
NEUTRAL	14-8	14-2
SMALL HOLE	14-8	12-10
EQUIP. GRND.	12-2	12-2



5/16" MOUNTING HOLE (3X)

100 AMP. RING TYPE METER SOCKET

3 CIRCUIT 70 AMP. LOAD CENTER
30AMP CIRCUIT BREAKER 1-POLE
30AMP CIRCUIT BREAKER 1-POLE



Dr. By: ST	Dt: 11-16-09
Ck. By:	
CR: R0729847	Dt: 11-16-09

* = Critical to Quality
Unless Otherwise Specified
Tolerances Dr: ± .010
2 Pl. Decimals ± .050
F. Angles ± 1/2°
Holes ± .003
Dimensions Are in Inches

AutoCad	Generated
SCALE	1 : 1
SIZE	A
SHEET	1 OF 1

TITLE: MH41SM3
OUTLINE DRAWING
DWG NO: 198B8604



SH156