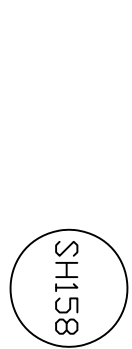
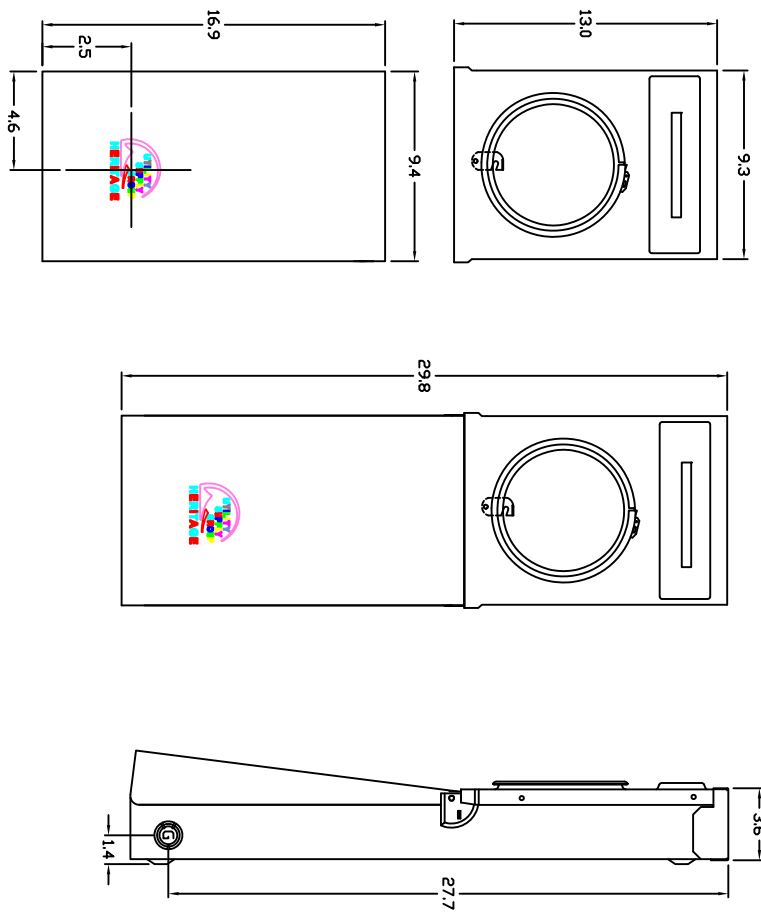
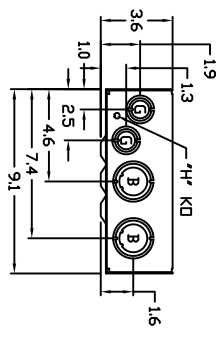
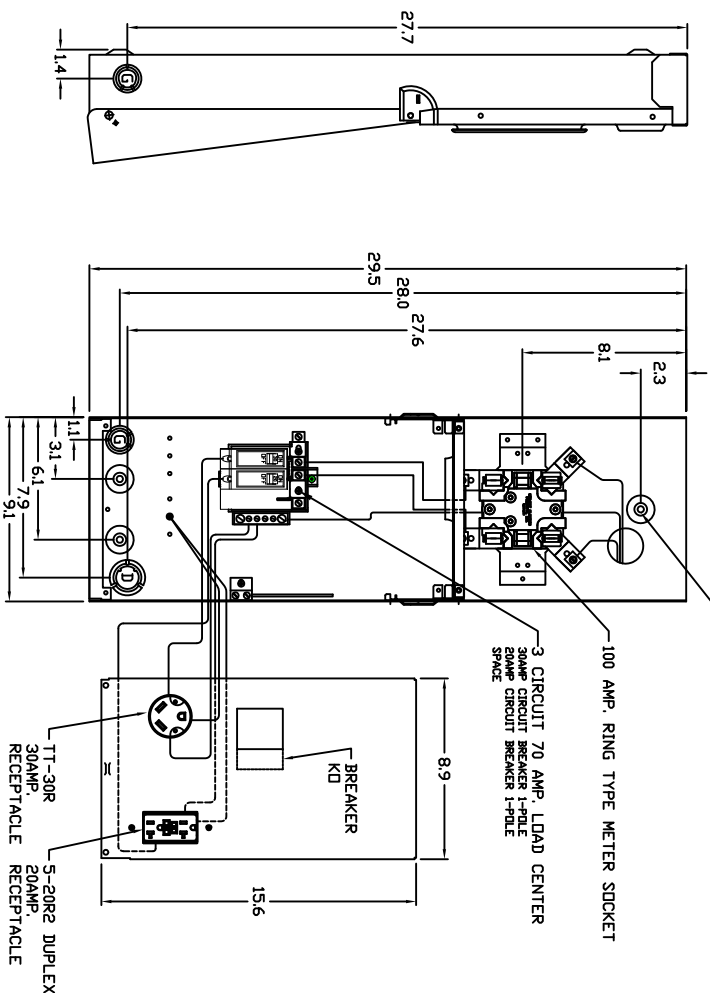


**KNOCKOUT TABLE:**

H= 9/32" KD  
 G= 1/2", 3/4", 1" KD  
 B= 1", 1-1/4", 1-1/2" KD  
 D= 3/4", 1", 1-1/4" KD

**WIRE RANGE TABLE:**

| CONNECTOR                                   | COPPER STRAND             | ALUMINUM STRAND |
|---|---------------------------|-----------------|
| LINE  | 14-8 14-2 12-10           | 12-2            |
| LOAD  | 14-10 14-10               | ---             |
| NEUTRAL LARGE HOLE                          | 14-8 14-2 10              | 12-2            |
| NEUTRAL SMALL HOLE                          | 14-8 14-4 12-10           | 12-4            |
| POST LINE CONNECTORS SUITABLE FOR LOOP FEED | #6-350 KCMIL #6-350 KCMIL |                 |
| EQUIP. GRND.                                | 12-2 12-2                 | 12-2            |
| EQUIP. GRND. POST                           | 14-2/0 14-2/0 14-2/0      | 14-2/0          |



Unless Otherwise Specified

Tolerances Dn.  
 3 Pl. Decimals ± .010  
 2 Pl. Decimals ± .030  
 Fractions ± 1/32  
 Angles ± 1/2"  
 Holes ± .003

TITLE: MH41B3 HEAD OUTLINE

AutoCad Generated

Dr. By: ST Dt: 11-16-09 CR: R0729847

Ck. By: Date: 11-16-09

Dimensions Are In Inches

|                         |             |        |                  |
|-------------------------|-------------|--------|------------------|
| * = Critical To Quality | SCALE 1 : 1 | SIZE B | DWG NO: 198B8604 |
| SHEET 1                 | OF 2        |        |                  |