

Water Shroud  
With TV and Telephone

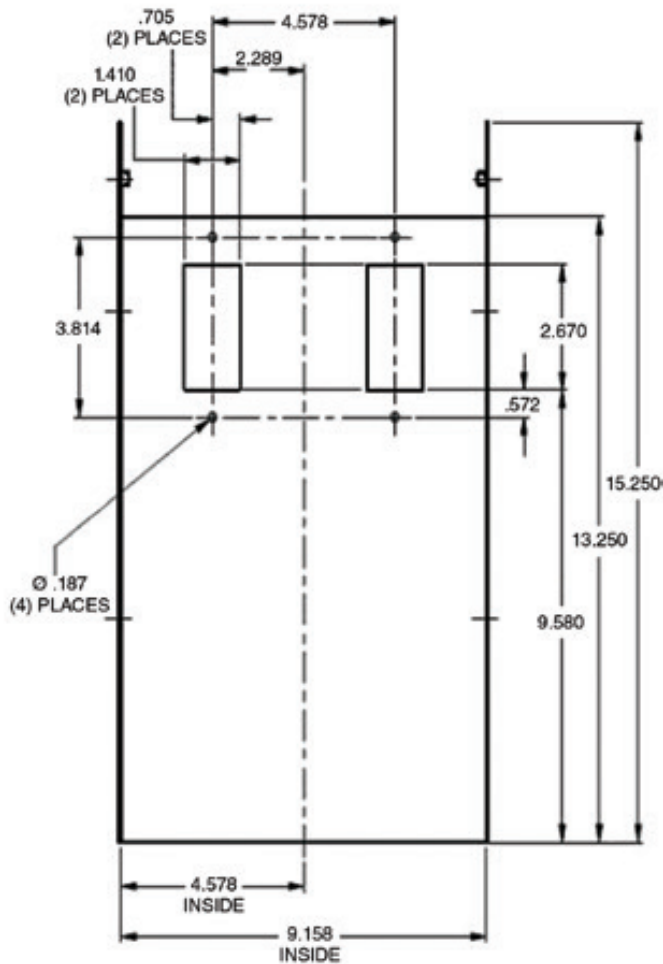
Technical Data

Model Number	Number of Receptacles	Color	Description	Height	Width
UH90GTTV1	1	Gray	Adapts to 9" wide galvanized steel post	15-1/4	9-1/2
UH90GTTV2	2				



UH90GTTV1

Dimensional Drawings



Inset

