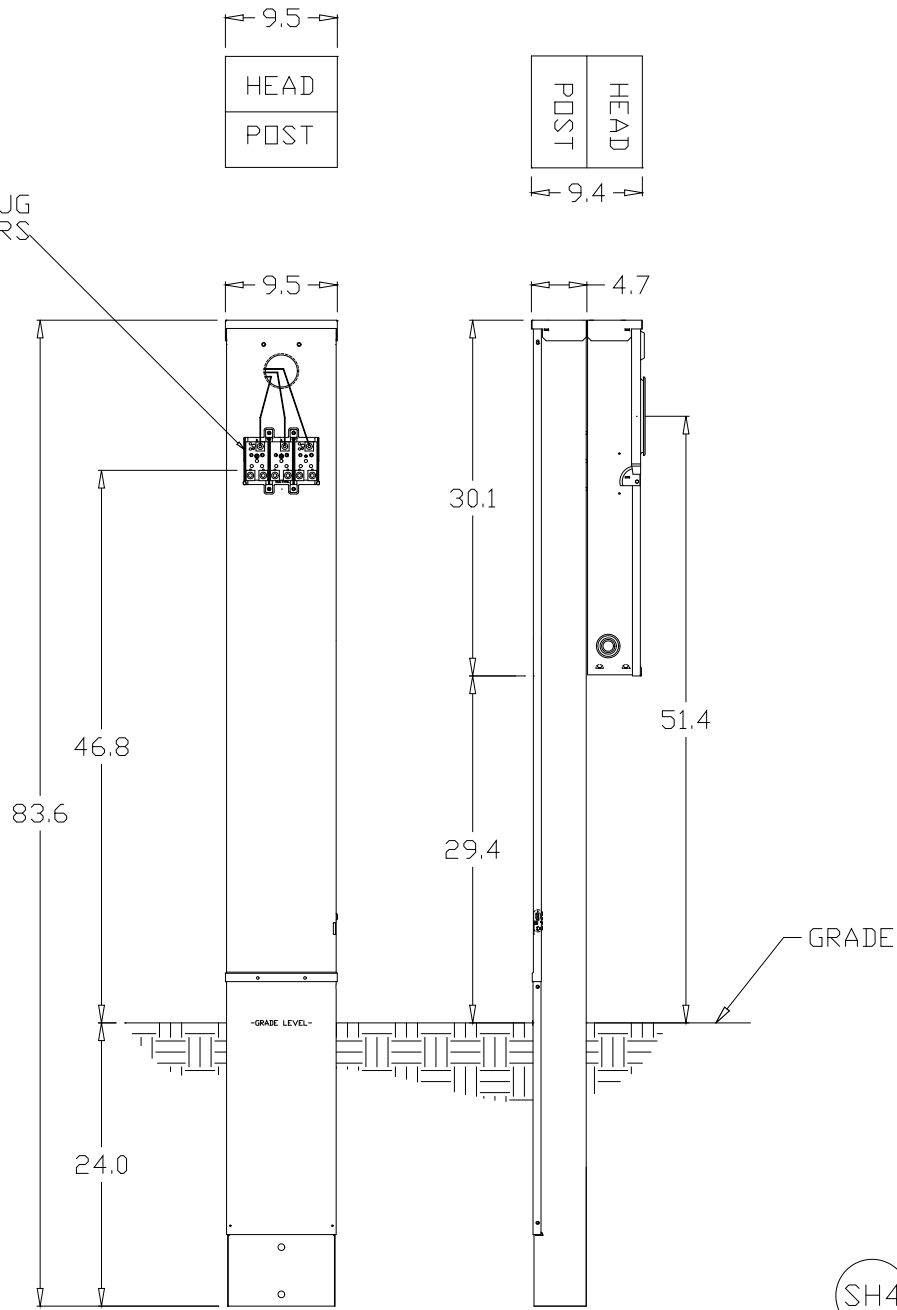


LOOP FEED LUG
TERMINAL BARS



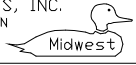
WIRE RANGE TABLE:

CONNECTOR	COPPER		ALUMINUM	
	SOLID	STRAND	SOLID	STRAND
LINE METER SOCKET	-----	6-4/0	-----	6-4/0
LOAD BASE LUGS	-----	1-4/0	-----	1-4/0
NEUTRAL A	-----	1-300	-----	1-300
NEUTRAL/GRND. B	-----	6-2/0	-----	6-2/0
NEUTRAL/GRND. C	14-8	14-4	12-8	12-4
POST LINE CONNECTORS SUITABLE FOR LOOP FEED	#6-350	KCMIL	#6-350	KCMIL
EQUIP. GRND.	12-2	12-2	12-2	12-2

SH4

Rev.1 CR R0811402 JE 1-23-08

MIDWEST ELECTRIC
PRODUCTS, INC.
Mankato, MN



Dr. By: JE
Ch. By:
CR: R0811402

* = Critical To Quality
Unless Otherwise Specified
AutoCad Generated
Tolerances On:
3 Pl. Decimals ± .010
2 Pl. Decimals ± .030
Fractions ± 1/32
Angles ± 1/2°
Holes ± .003
Dimensions Are In Inches

SCALE	SIZE
1 : 1	A

SHEET 1 OF 1

TITLE: M281C1P6H
POST/HEAD OUTLINE
DWG NO: 198B8610