

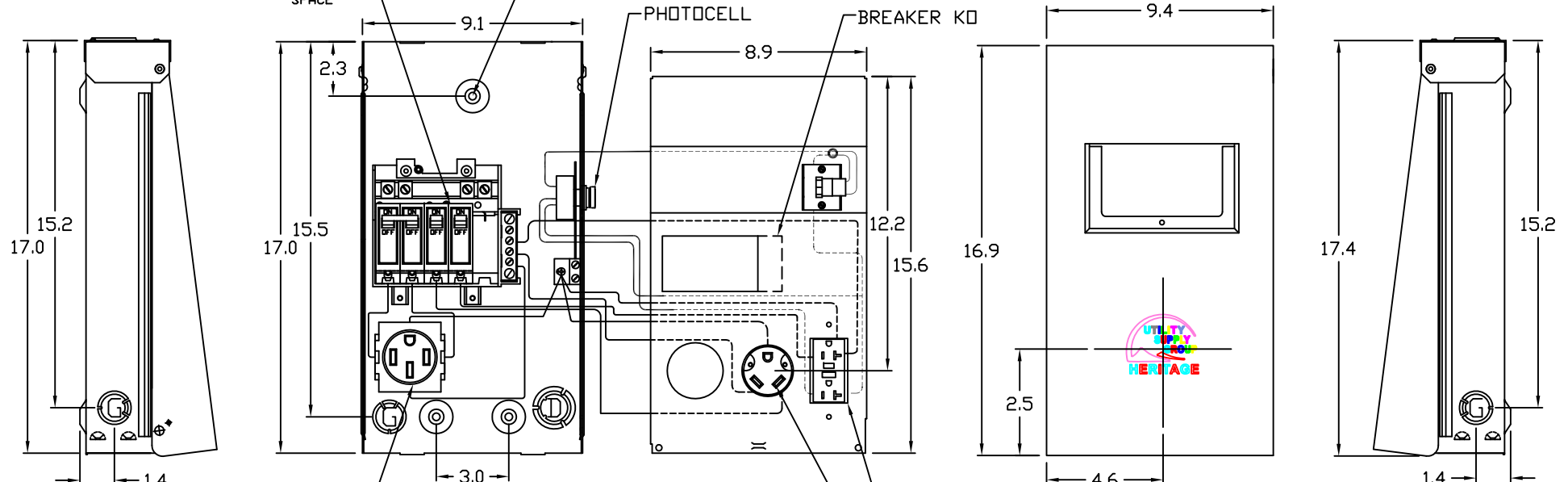
KNOCKOUT TABLE:

H= 9/32" KO
 G= 1/2", 3/4", 1" KO
 B= 1", 1-1/4", 1-1/2" KO
 D= 3/4", 1", 1-1/4" KO

WIRE RANGE TABLE :

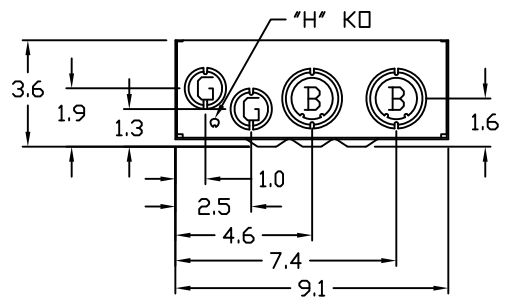
CONNECTOR	COPPER		ALUMINUM	
	SOLID STRAND	SOLID STRAND	SOLID STRAND	SOLID STRAND
LINE	14-8	14-1/0	12-10	12-1/0
LOAD	14-10	14-10	---	---
NEUTRAL LARGE HOLE	12-8	12-1/0	10	10-1/0
NEUTRAL SMALL HOLE	14-8	14-4	12-10	12-4
EQUIP. GRND.	12-2	12-2	12-2	12-2

5 CIRCUIT 100AMP. LOAD CENTER
 50AMP CIRCUIT BREAKER 2-POLE
 30AMP CIRCUIT BREAKER 1-POLE
 20AMP CIRCUIT BREAKER 1-POLE
 SPACE



14-50R
 50AMP
 RECEPTACLE

5-20R2 DUPLEX
 20AMP
 RECEPTACLE
 TT-30R
 30AMP
 RECEPTACLE



NOTES:
 LUG TYPE IS LOOP FEED



SH147

* = Critical To Quality		TITLE: H75SM3L	
Unless Otherwise Specified		AutoCad Generated	
Tolerances On:	SCALE	SIZE	DWG NO.
3 Pl. Decimals ± .010	1 : 1	A	198B8604
2 Pl. Decimals ± .030			
Fractions ± 1/32			
Angles ± 1/2°			
Holes ± .003			
SHEET 1 OF 1			

Dr. By: ST Dtd: 11-16-09
 Ck. By: CR R0729847 Dtd: 11-16-09

Rev:1 CR R0729847 ST 11-16-09
 Rev:2 CR R1318112 DJ 09-16-13