

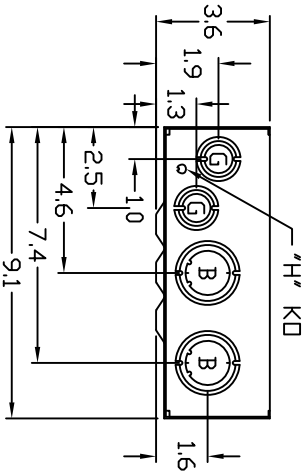
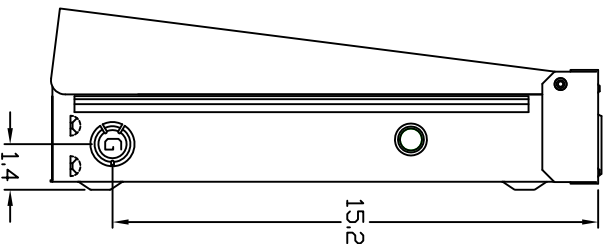
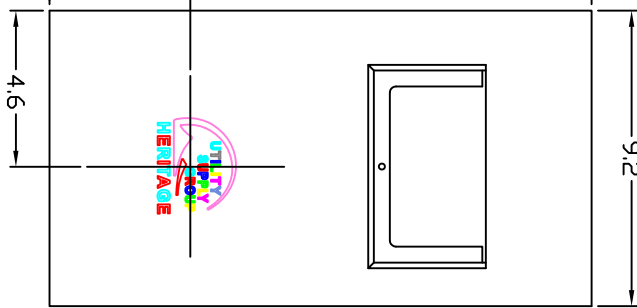
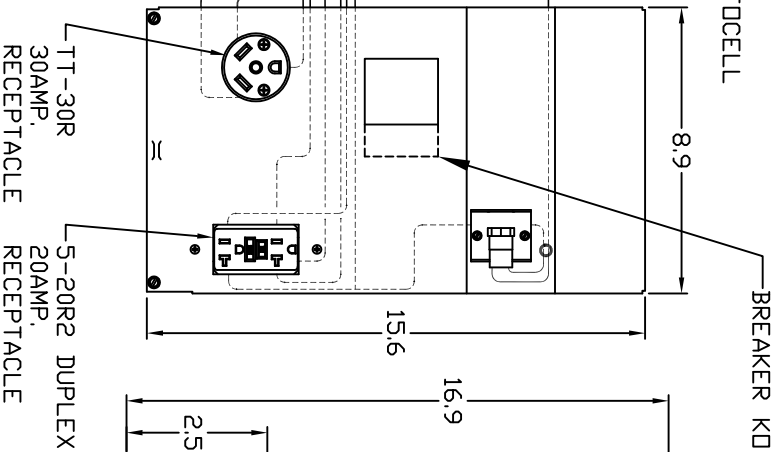
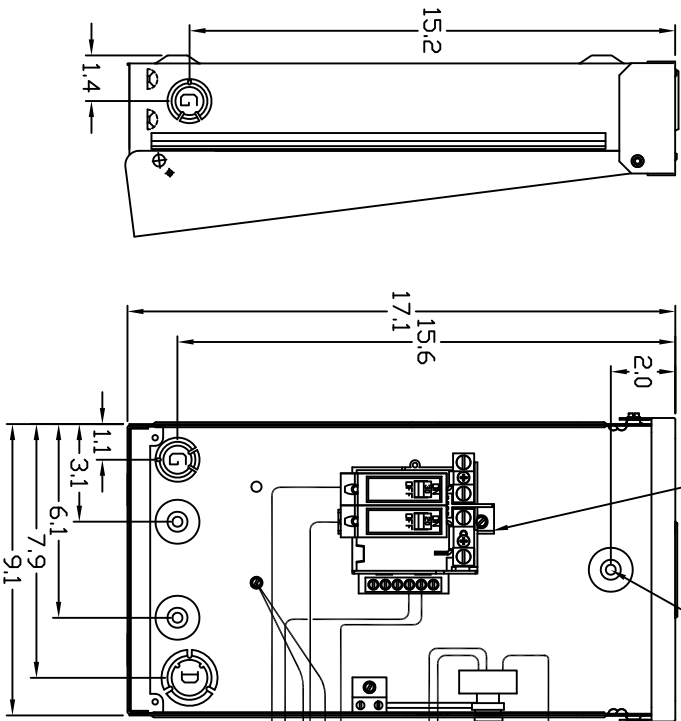
KNOCKOUT TABLE:

H = 9/32" KD
G = 1/2", 3/4", 1" KD
B = 1", 1-1/4", 1-1/2" KD
D = 3/4", 1", 1-1/4" KD

WIRE RANGE TABLE:

CONNECTOR	COPPER	ALUMINIUM
SOLID STRAND	SOLID STRAND	SOLID STRAND
LINE	14-8 14-1/0	12-10 12-1/0
LOAD	14-10 14-10	---
NEUTRAL HOLE	14-8 14-2	10 12-2
NEUTRAL SMALL HOLE	14-8 14-4	12-10 12-4
EQUIP. GRND.	12-2 12-2	12-2 12-2

3 CIRCUIT 70 AMP. LOAD CENTER
 30AMP CIRCUIT BREAKER 1-POLE
 20AMP CIRCUIT BREAKER 1-POLE
 SPACE



NOTES:
 LUG TYPE: LOOP FEED

Dr. By: ST 3b 11-17-09
 Ck. By: CR R0729847 Ds 11-17-09

* = Critical To Quality
 Unless Otherwise Specified
 Tolerances Dn, 40
 2 Pl. Decimals ± .00
 Fractions ± 1/32
 Angles ± 1/2°
 Holes ± .003 In. Inches
 Dimensions Are In Inches

AutoCad Generated
 SCALE 1:1
 SIZE A

TITLE: H41SM3L
 DUTLINE DRAWING
 DVG NO: 198B8604

