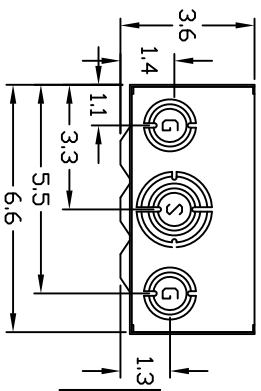
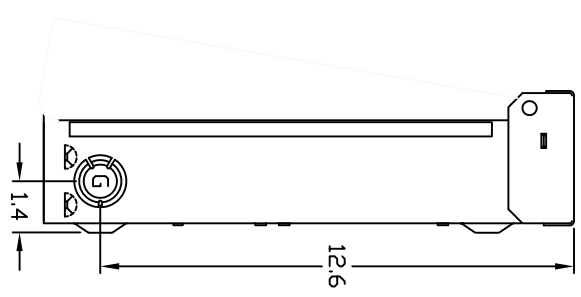
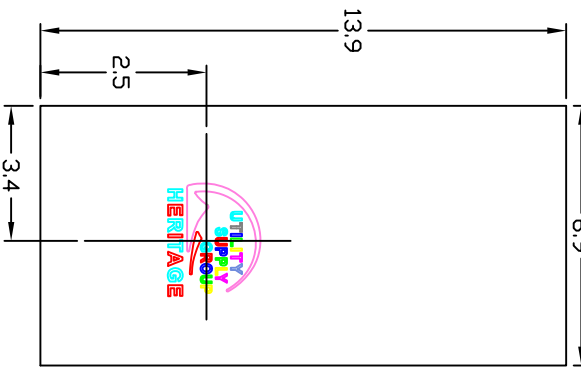
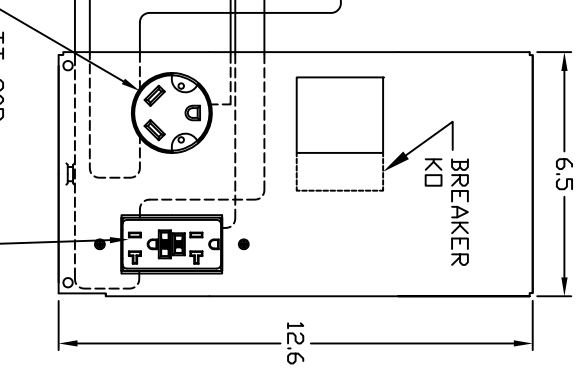
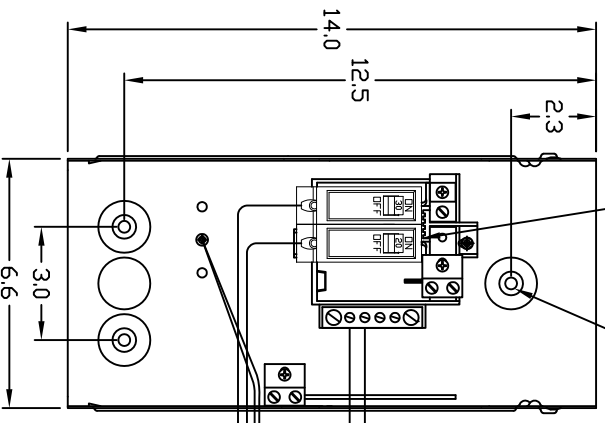
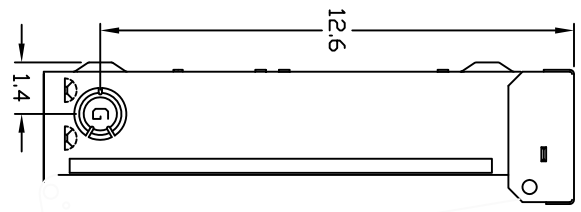


1-1/2" HUB HOLE

3 CIRCUIT 70 AMP, LOAD CENTER
 30AMP CIRCUIT BREAKER 1-POLE
 20AMP CIRCUIT BREAKER 1-POLE
 SPACE
 5/16" MOUNTING HOLE (3X)



WIRE RANGE TABLE:

CONNECTOR	COPPER		ALUMINUM	
	SOLID STRAND	SOLID STRAND	SOLID STRAND	SOLID STRAND
LINE	14-8	14-2	12-10	12-2
LOAD	14-10	14-10	---	---
NEUTRAL	14-4	14-4	14-4	14-4
POST LINE CONNECTORS SUITABLE FOR LOOP FEED	#6-350 KCMIL		#6-350 KCMIL	
EQUIP. GRND.	12-2	12-2	12-2	12-2
EQUIP. GRND. POST	14-2/0	14-2/0	14-2/0	14-2/0



KNICKOUT TABLE:

S = 1/2", 3/4", 1", 1-1/4", 1-1/2" KD
G = 1/2", 3/4", 1" KD



Unless Otherwise Specified

- Tolerances Dn.
- 3 Pl. Decimals ± .010
- 2 Pl. Decimals ± .030
- Fractions ± 1/32
- Angles ± 1/2°
- Holes ± .003

Dimensions Are In Inches

* = Critical To Quality

TITLE: H41B3
 HEAD OUTLINE

SCALE 1 : 1

SIZE B

DWG NO: 198B8604

SHEET 1 OF 2

AutoCad Generated

Dr. By: ST Dt: 11-17-09 CR: R0729847

Ck. By: Date: 11-17-09